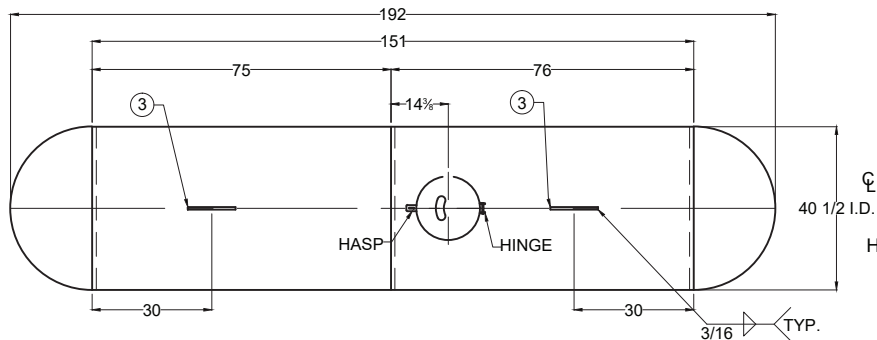
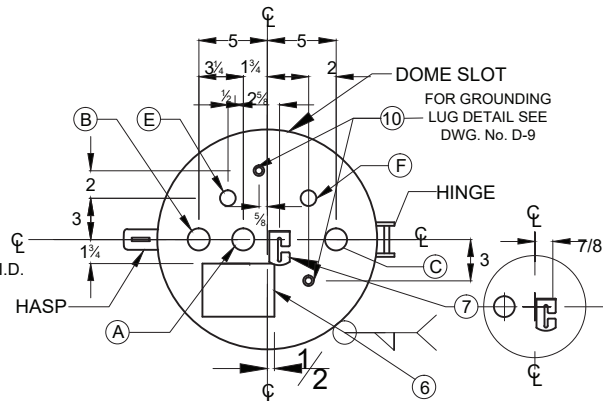


THIS VESSEL IS DESIGNED FOR THE STORAGE OF LIQUEFIED PETROLEUM GAS ONLY

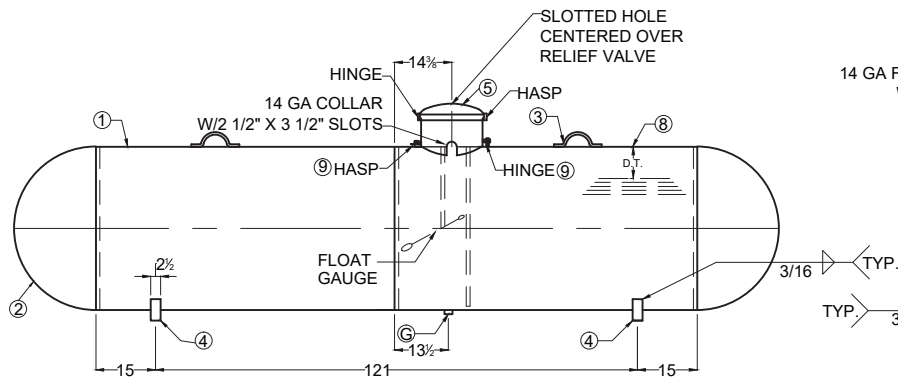


TOP VIEW

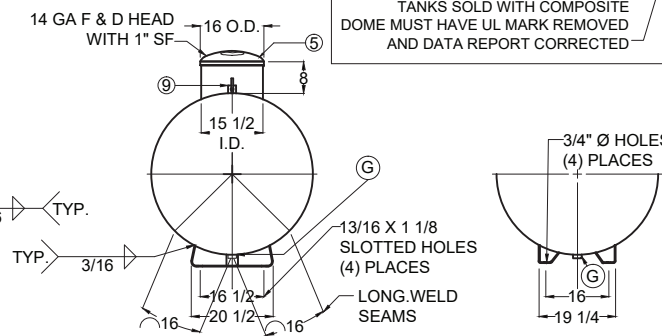


FITTING LAYOUT

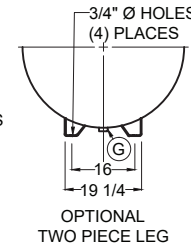
REGULATOR BRACKET DETAIL showing a 7/8 inch diameter hole and 3 inch spacing.



SIDE ELEVATION



END VIEW



OPTIONAL TWO PIECE LEG

TANKS SOLD WITH COMPOSITE DOME MUST HAVE UL MARK REMOVED AND DATA REPORT CORRECTED

UL SER. NO. *
CERTIFIED BY: QUALITY STEEL CORPORATION
 CLEVELAND, MS - FREMONT, OHIO - WEST JORDAN, UTAH

MAX. ALLOW. WORK. PRESS. 250 PSI AT 400 °F.
 M.D.M.T. -20 °F. AT 250 PSI
 YEAR BUILT 201 SER. NO. *
 LENGTH 192 IN. OUTSIDE DIA. 41 IN.
 HEAD THK. 202 IN. SHELL THK. .238 IN.
 ABOVE/UNDER GROUND TYPE AWT-9A SURFACE AREA. 172 SQ. FT.
 LISTED CONTAINER ASSEMBLY FOR LP GAS 547P HEAD D.R. HEMI.
 WATER CAPACITY 1000 GALLONS

THIS CONTAINER SHALL NOT CONTAIN A PRODUCT HAVING A VAPOR PRESSURE IN EXCESS OF 215 PSI AT 100°F. DIP TUBE LENGTH - 80% FULL AT 40°F. D.T.= 110.7 IN.

DATA PLATE DETAIL

- GENERAL NOTES:**
- LIFTING LUGS DESIGNED FOR TOTAL LIFTING WEIGHT OF 2700#
 - TOTAL EMPTY WEIGHT IS 1770#.
 - ALL DIMENSIONS ARE IN INCHES UNLESS OTHERWISE SPECIFIED.
 - COMPLETE TANK DRIED TO REMOVE ALL MOISTURE.
 - ALL WEIGHTS AND CAPACITIES ARE APPROXIMATE
 - EXTERIOR OF TANK TO BE GRIT BLASTED.
 - PAINT PER SHOP ORDER.
 - VACUUM PURGE TANK.
 - DIMENSIONS ARE SUBJECT TO CHANGE WITH OUT NOTICE. (NON-PRESSURE RETAINING COMPONENTS ONLY)
 - THREADS OF ALL FITTINGS TO BE COATED WITH COMPOUND SUITABLE FOR USE WITH LP GAS.
 - FLOAT GAUGE TO BE INSTALLED WITH FLOAT ARM 45 ° OFF LONGITUDINAL CENTERLINE OF TANK.

GENERAL SPECIFICATIONS	
WATER CAPACITY (GALLONS)	1000
ALLOWABLE WORKING PRESSURE (PSIG)	250
JOINT EFFICIENCY:	ASME UW-51 LONG SEAM 100 % ASME UW-52 HEAD TO SHELL 80 %
HYDROSTATIC TEST PRESSURE (PSIG)	325
SURFACE AREA (SQ. FT.)	172
RELIEF VALVE SETTING (PSIG)	250
RELIEF DISCHARGE RATE - (CFM REQ'D.)	3652
CODE:	ASME SECTION VIII DIV. I
STANDARDS:	UNDERWRITERS LABORATORIES INC. MH-7203 N.F.P.A. 58 LP GAS CODE
MATERIAL SPECS.:	
COUPLINGS	SA-105
TANK FLANGES	SA-105
ADAPTOR	SA-105
HEAT TREATMENT NOT REQUIRED	

1000 W.G. ABOVE/UNDERGROUND PROPANE TANK-TYPE-AWT-9A

QUALITY STEEL CORPORATION

DATE:	01 / 03 / 00	DRAWN BY:	RAC	APPROVED BY:	CDH	REVISION:	27	DRAWING No.:	Z - 1000
-------	--------------	-----------	-----	--------------	-----	-----------	----	--------------	----------

MARK	QTY.	SIZE	TYPE	FITTINGS		SERVICE	MARK	QTY.	DESCRIPTION	DWG. NO.
				REGO	SHERWOOD					
A	1	1 1/4	XH FLG.	8685GT	UVE453AM	RELIEF VALVE	1	2	SHELL - 0.238" X 75 3/4" X 127 5/16" - SA455 OR SA414G	
B	1	1	XH FLG.	ROCHESTER B 8981-28 OR SHERWOOD FG 3981-095A OR SQUIBB TAYLOR HA105		FLOAT GAUGE	2	2	HEADS - 40" I.D. X 0.202" - HEMI: SA414C	
C	1	1-1/4	XH FLG.	7579T	PVE623B	FILL VALVE	3	2	LIFTING LUGS	D - 2
E	1	3/4	XH FLG.	7556RS 12.0	PVE2033CLDB	MULTI VALVE	4	2	TANK LEGS (ONE PIECE LEGS)	D - 3
F	1	3/4	XH FLG. W/ EVAC TUBE	7590U	PV5136	CHEK-LOK	4 (ALT)	4	TANK LEGS (TWO PIECE LEGS) (2 1/2" IF PAINTED GREEN, ALL OTHERS 4" LEGS)	D - 2
F(OPT)	1	1 1/4	XH FLG. W/ EVAC TUBE	7580FCT	PVE5135S	CHEK-LOK	5	1	DOME	D - 5
G(OPT)	1	1 1/4	XH FLG.			PLUGGED OPENING	6	1	DATA PLATE	
							7	1	REGULATOR BRACKET	D - 10
							8	1	DIP TUBE LENGTH =11.5" FOR 80% @ 40° F	
							9	2	HINGE & HASP OR SNAP LOCK	D - 5
							10	2	ANODE ATTACHMENTS	D - 9

PART NO. 011002X STANDARD 0110012X W/DRAIN

REV.	BY:	DESCRIPTION	DATE:
17	CDH	ADDED HINGE & HASP AT SHELL	12/11/01
18	CDH	ADDED NOTE AT LEG DESCRIPTION	3/6/02
19	CDH	REVISED MDMT PRESSURE TO 250 PSI - JESUP	3/25/03
20	CDH	CORRECTED RELIEF VLV. MODEL NOS.	11/5/03
21	CDH	CORRECTED SHELL LENGTH	11/12/03
22	wlo	ADDED OPTION FOR SA414G SHELL	10/29/04
23	wlo	REVISED COMPANY NAME	12/08/07
24	wlo	CHANGED TO NARROW PLATE	03/05/09
25	bts	2 SHELL TANK STYLE AND DP UPDATE	09/05/13
26	bts	CORRECT HOLE LAYOUT	10/15/13
27	bts	ADDED DRAIN PART NUMBER	03/19/14

AGUG STANDARD