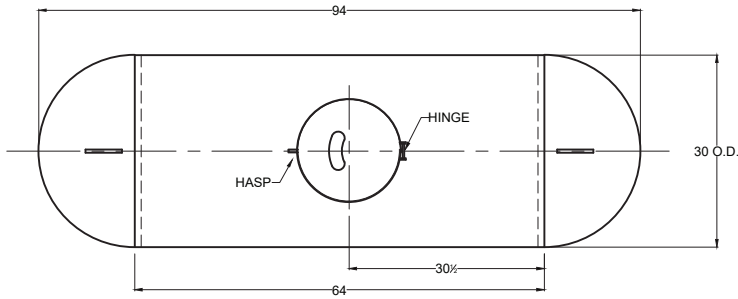
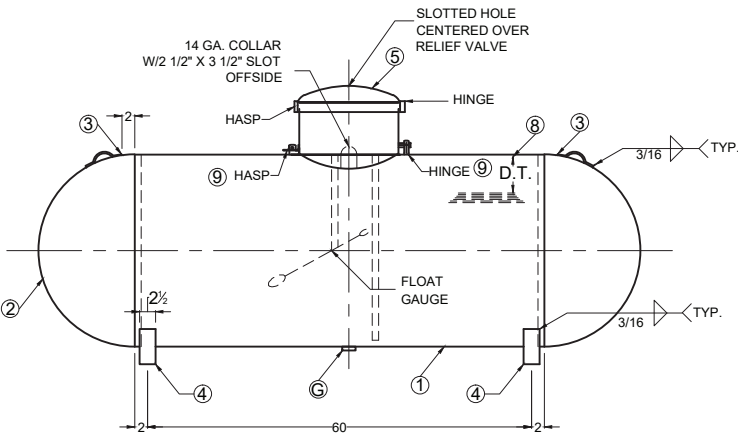


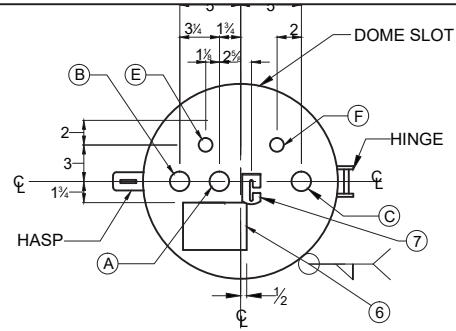
THIS VESSEL IS DESIGNED FOR THE STORAGE
OF LIQUEFIED PETROLEUM GAS ONLY



TOP VIEW

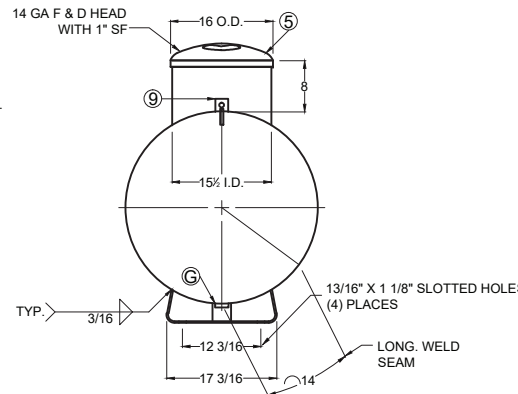


SIDE ELEVATION

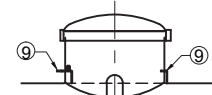


FITTING LAYOUT

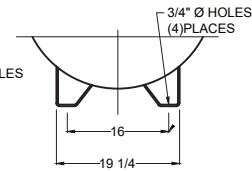
TANKS SOLD WITH COMPOSITE
DOME MUST HAVE UL MARK REMOVED
AND DATA REPORT CORRECTED



END VIEW



OPTIONAL
DOME CLIP FOR
UG GREEN ONLY



OPTIONAL
2 PIECE LEGS

SER. NO. *

CERTIFIED BY: QUALITY STEEL CORPORATION
CLEVELAND, MS - FREMONT, OHIO - WEST JORDAN, UTAH

MAX. ALLOW. WORK. PRESS. **250 PSI** AT **400** °F.
M.D.M.T. **-20** °F. AT **250** PSI

YEAR BUILT **201** SER. NO. *

LENGTH **94** IN. OUTSIDE DIA. **30** IN.
HEAD THK. **1.48** IN. SHELL THK. **.174** IN.
ABOVE/GROUND TYPE **AWT-9A** SURFACE AREA. **61.5** SQ. FT.
LISTED CONTAINER ASSEMBLY FOR LP GAS 547P HEAD D.R. **HEMI.**
WATER CAPACITY **250** GALLONS

THIS CONTAINER SHALL NOT CONTAIN A PRODUCT HAVING A VAPOR PRESSURE IN EXCESS OF 215 PSI AT 100°F. DIP TUBE LENGTH - 80% FULL AT 40°F. D.T.= 18.8 IN.

DATA PLATE DETAIL

GENERAL NOTES:

- LIFTING LUGS DESIGNED FOR TOTAL LIFTING WEIGHT OF 800#.
- TOTAL EMPTY WEIGHT IS 493#.
- ALL DIMENSIONS ARE IN INCHES UNLESS OTHERWISE SPECIFIED
- COMPLETE TANK DRIED TO REMOVE ALL MOISTURE
- EXTERIOR OF TANK TO BE BRIT BLASTED
- PAINT PER SHOP ORDER
- VACUUM PURGE TANK
- DIMENSION ARE SUBJECT TO CHANGE WITHOUT NOTICE. (NON-PRESSURE RETAINING COMPONENTS ONLY)
- THREADS OF ALL FITTINGS TO BE COATED WITH COMPOUND SUITABLE FOR USE WITH LP GAS
- FLOAT GAUGE TO BE INSTALLED WITH FLOAT ARM 45° OFF LONGITUDINAL CENTERLINE OF TANK.

GENERAL SPECIFICATIONS

WATER CAPACITY (GALLONS)	250
ALLOWABLE WORKING PRESSURE (PSIG)	250
JOINT EFFICIENCY: ASME UW-51 LONG SEAM	100 %
ASME UW-52 HEAD TO SHELL	80%
HYDROSTATIC TEST PRESSURE (PSIG)	325
SURFACE AREA (SQ. FT.)	61.5
RELIEF VALVE SETTING (PSIG)	250
RELIEF DISCHARGE RATE - (CFM REQ'D.)	1570
HEAT TREATMENT NOT REQUIRED	
CODE: ASME SECTION VIII DIV. I	
STANDARDS: UNDERWRITERS LABORATORIES INC.	MH-7203
N.F.P.A. 58 LP GAS CODE	
MATERIAL SPECS.: COUPLINGS SA-105	
TANK FLANGES SA-105	
ADAPTOR SA-105	

250 W.G. ABOVE/UNDERGROUND
PROPANE TANK-TYPE-AWT-9A

QUALITY STEEL CORPORATION

DATE: 01 / 03 / 00	DRAWN BY: RAC	APPROVED BY: CDH	REVISION: 23	DRAWING NO.: V - 250
--------------------	---------------	------------------	--------------	----------------------

MARK	QTY.	SIZE	TYPE	FITTINGS		SERVICE	MARK	QTY.	DESCRIPTION	DWG. NO.
				REGO	SHERWOOD					
A	1	3/4	XH FLG.	7583 GT	UVE433 AM	RELIEF VALVE	1	1	SHELL - 0.174" X 63 1/4" X 93 3/8" - SA414G	
B	1	1	XH FLG.	ROCHESTER B 8881-28 OR SHERWOOD FG 3881-02A OR SQUIBB TAYLOR HA160C		FLOAT GAUGE	2	2	HEADS - 30" O.D. X 0.148" - HEMI: SA414C	
C	1	1-1/4	XH FLG.	7579T	AFV10	FILL VALVE	3	2	LIFTING LUGS	D - 2
E	1	3/4	XH FLG.	7556RS08.5	PVE2033DLDBT	MULTI VALVE	4	2	TANK LEGS - SINGLE PIECE	D - 3
F	1	3/4	XH FLG. W/ EVAC. TUBE	7590UT	PVE5136	CHEK-LOK	4 (ALT)	4	TANK LEGS - 2 PIECE	D - 2
G (OPT)	1	1 1/4	XH FLG.			PLUGGED OPENING	5	1	DOME	D - 5
							6	1	DATA PLATE	
							7	1	REGULATOR BRACKET	D - 10
							8	1	DIP TUBE LENGTH = 8.8" FOR 80 % @ 40° F	
							9	2	HINGE AND HASP OR DOME CLIPS	
							10	1	ANODE ATTACHMENT	D - 9

PART NUMBER: 0102502X

STANDARD AGUG 250